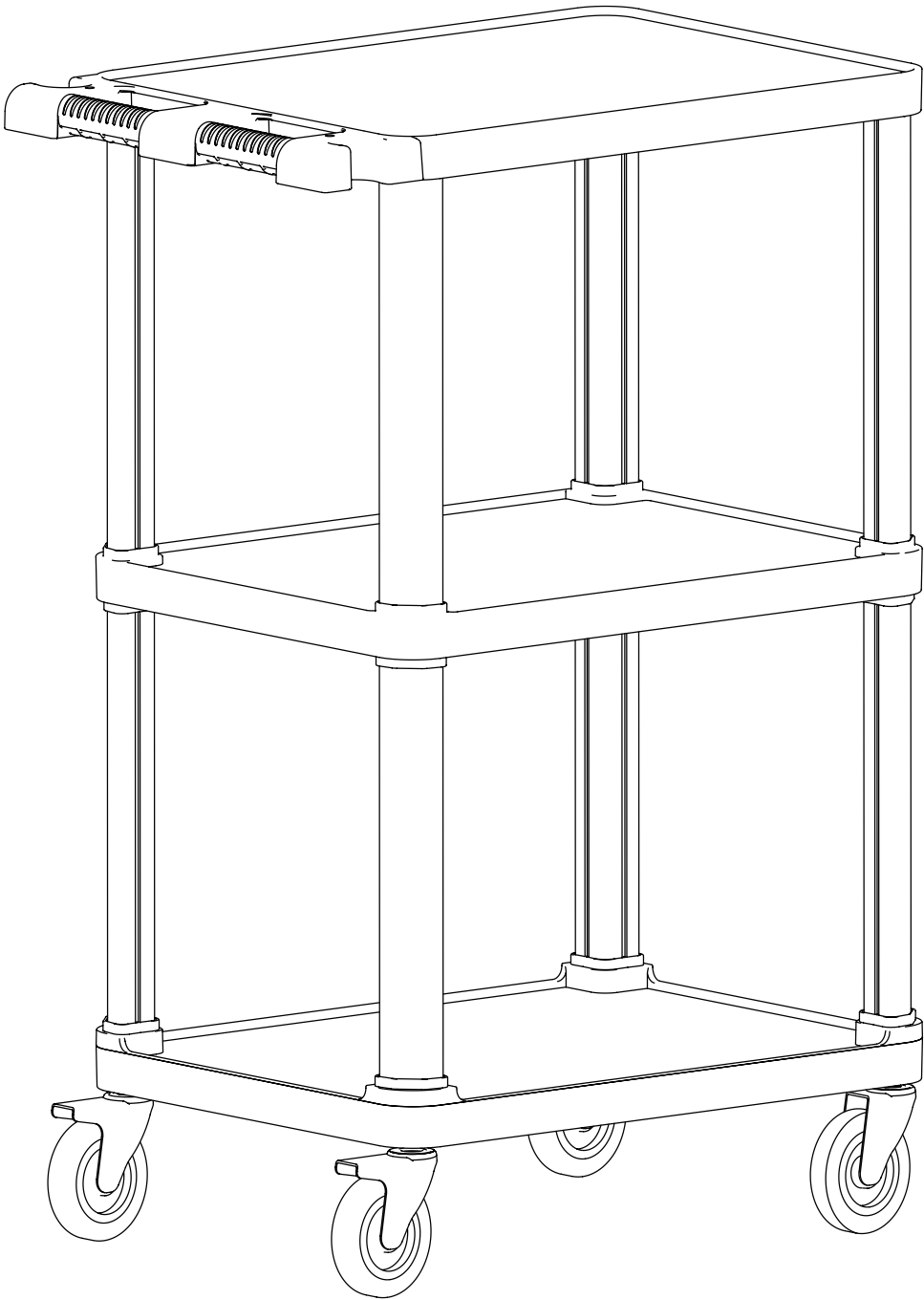
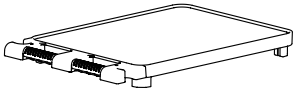
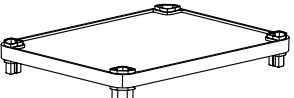
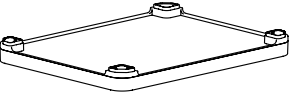
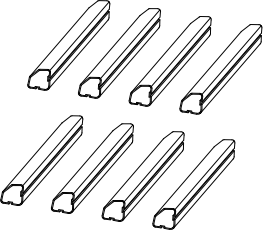
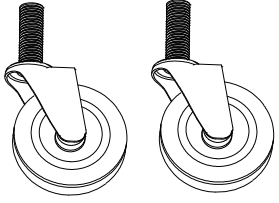
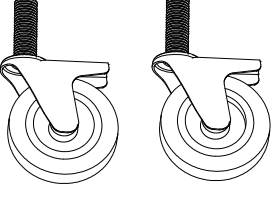
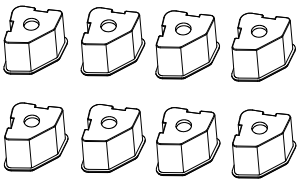
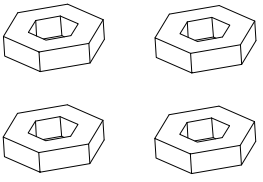
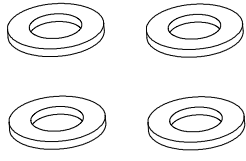
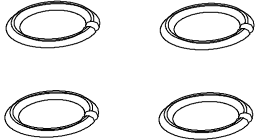
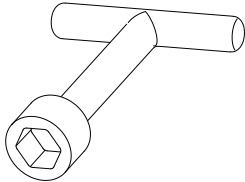


KLETON

MQ183 – INSTRUCTION MANUAL



Part List

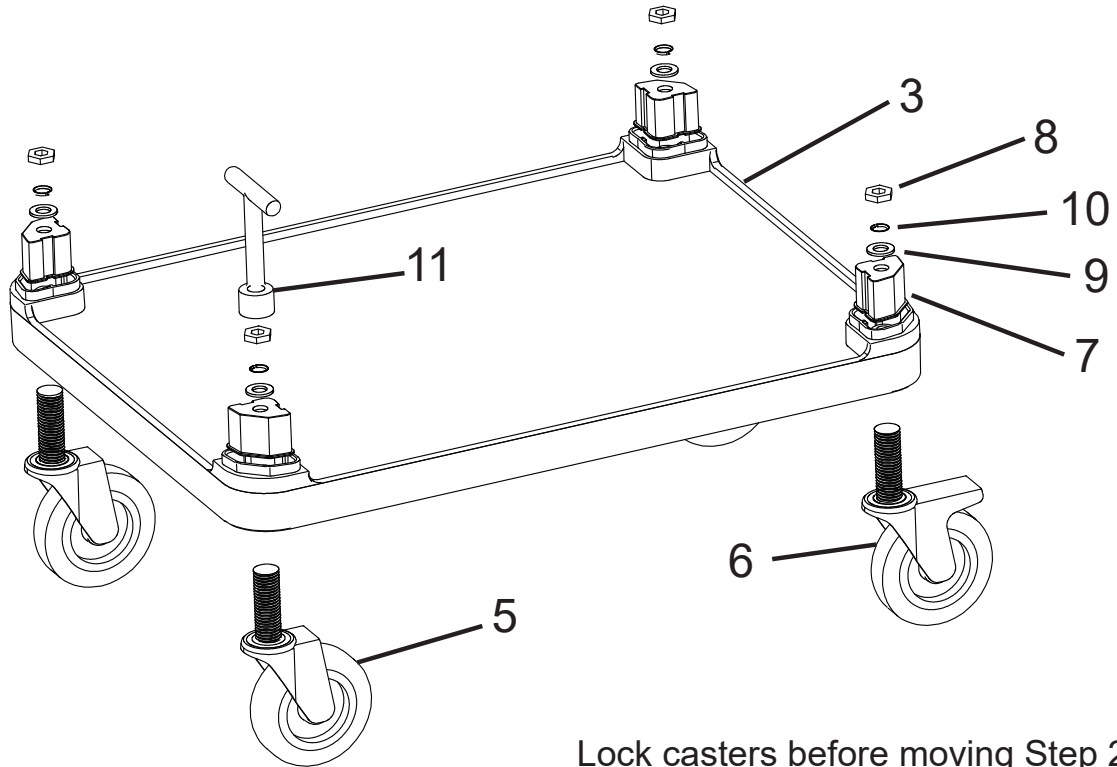
 <p>1. Top Tray</p>	 <p>2. Mid Tray</p>	 <p>3. Bottom Tray</p>	 <p>4. Side Arms x 8</p>
 <p>5. Swivel Caster x 2</p>	 <p>6. Swivel Caster with Brakes x 2</p>	 <p>7. Inner Sleeve x 8</p>	 <p>8. Nuts x 4</p>
 <p>9. Washers x 4</p>	 <p>10. Spacers x 4</p>	 <p>11. Socket Wrench</p>	

Replacement Parts

Product	Vendor Prod No.	Description
MQ189	T3P-T3A-CASTERS	REPLACEMENT CASTERS
MQ190	T3P-T3A-HW	REPLACEMENT HARDWARE
MQ192	T3P-T3A-POST-INSERT	REPLACEMENT POST INSERT
MQ191	T3A-POST	REPLACEMENT POST FOR MQ183

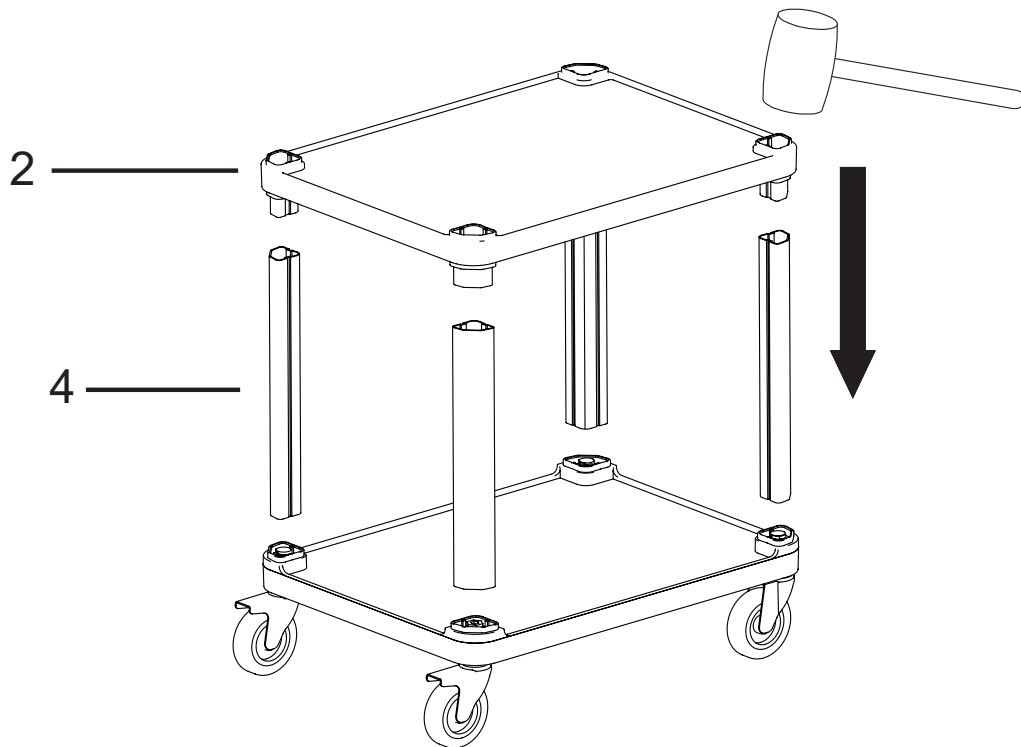
Assembly

1.



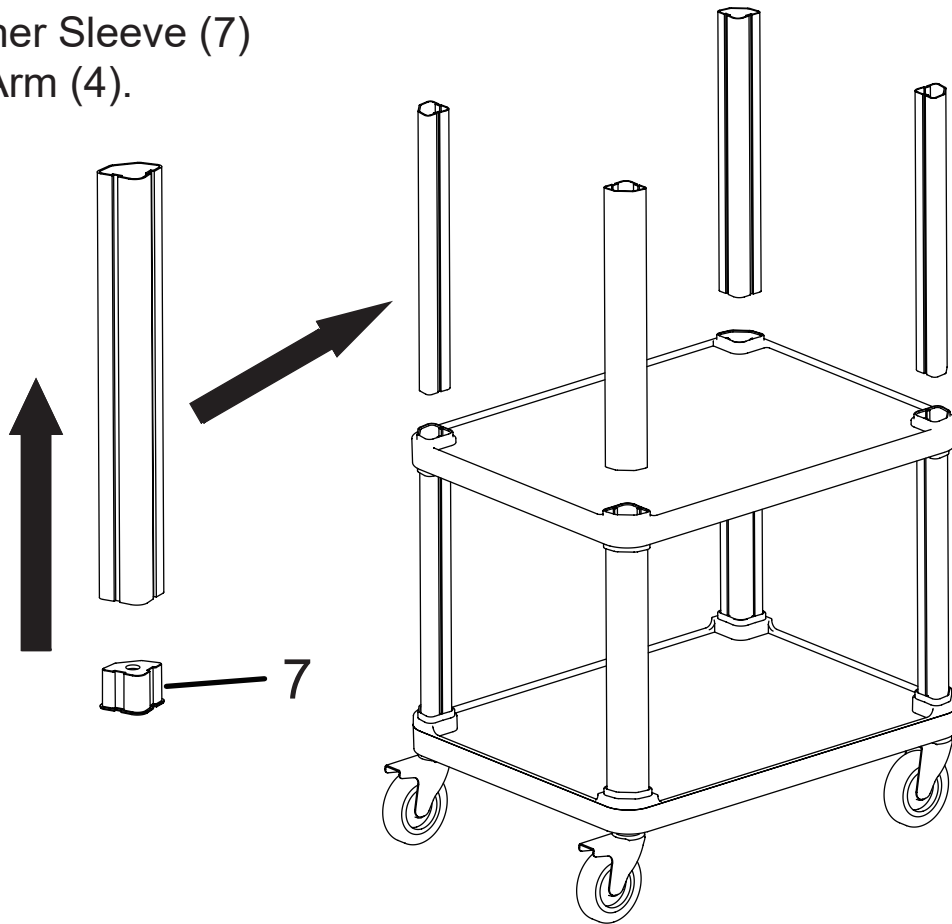
Lock casters before moving Step 2.

2.

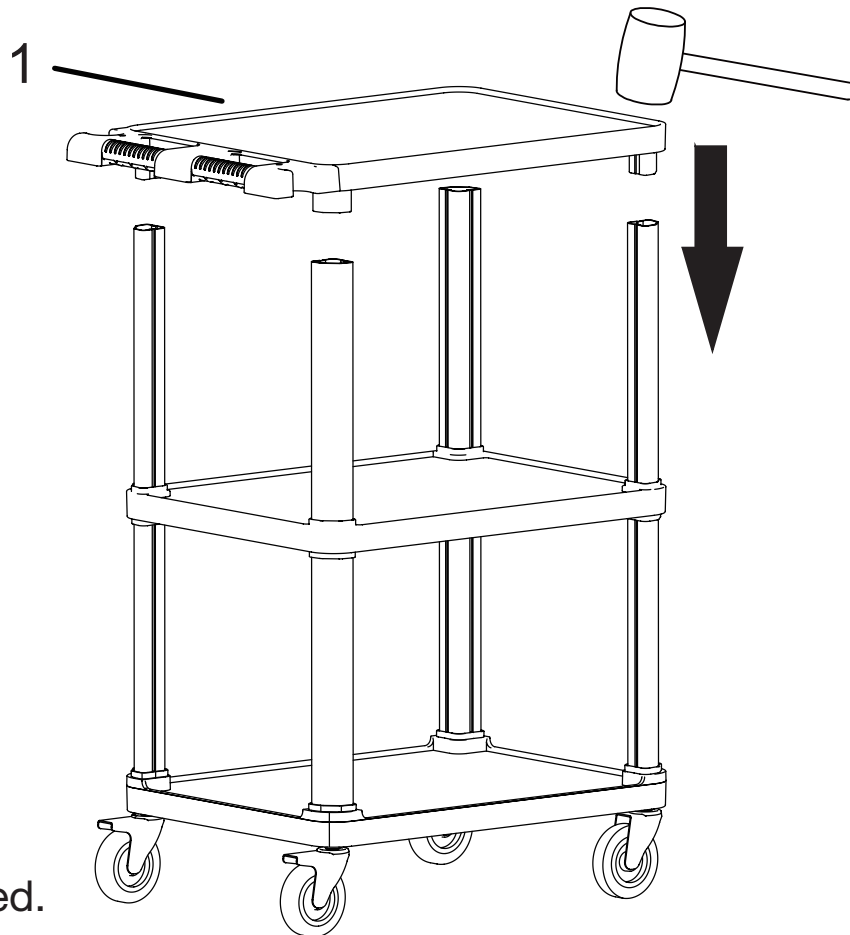


Hammer in Posts and Shelves.

3. Insert Inner Sleeve (7)
to each Arm (4).



4.



Assembly Finished.