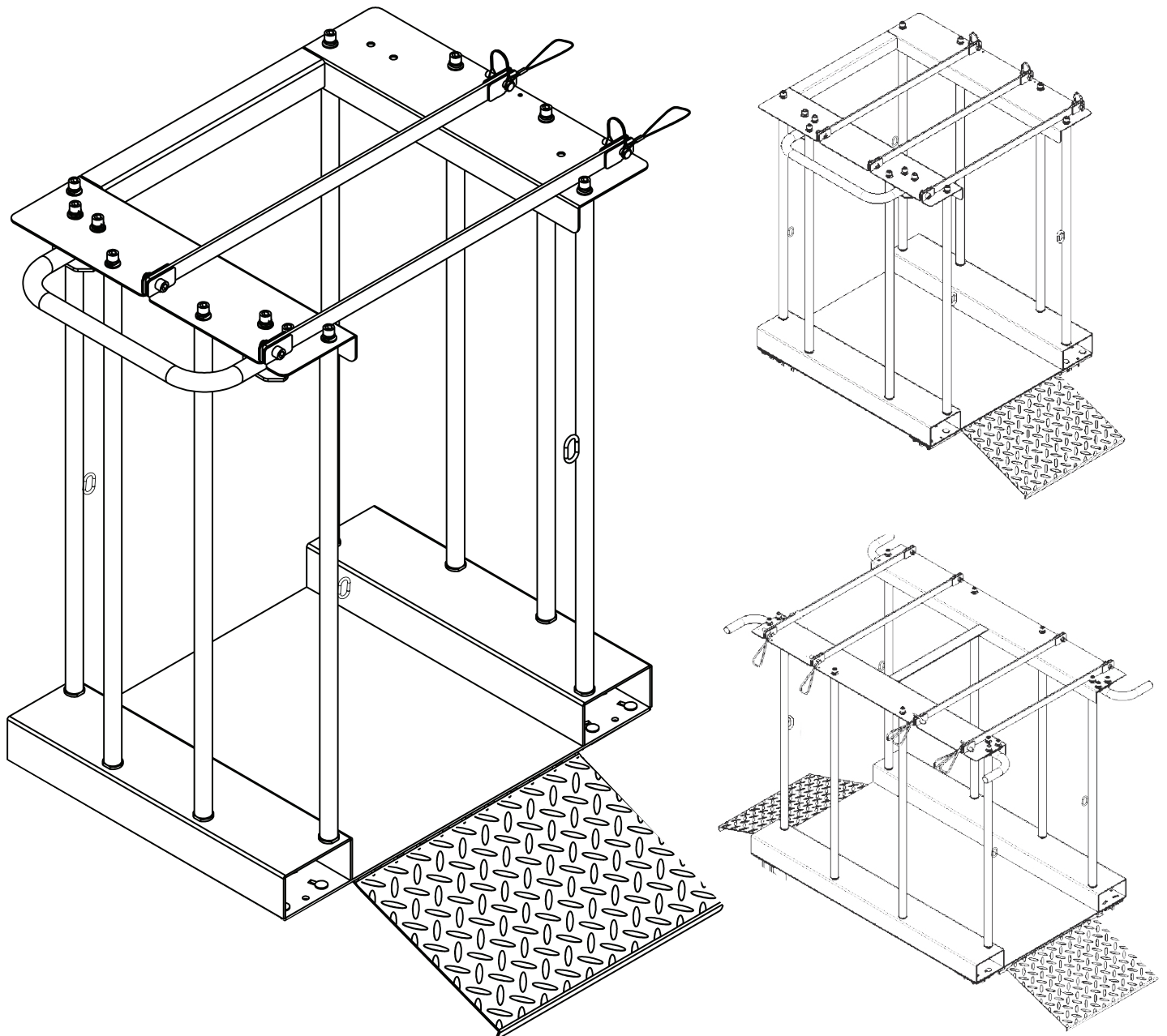


KLETON

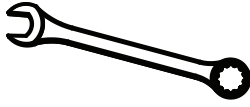
CYLINDER STORAGE CADDIES

MQ095/MQ096/MQ097

ASSEMBLY INSTRUCTIONS



Tools Needed



Combination Wrench








Two Person Assembly
Recommended

Parts List

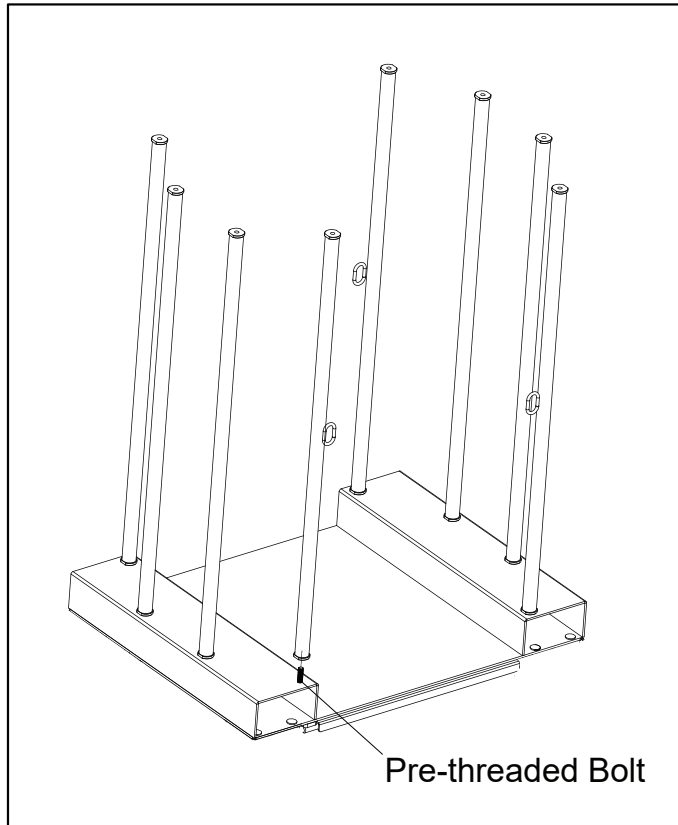
		4 CYL Storage Caddy MQ095	6 CYL Storage Caddy MQ096	8 CYL Storage Caddy MQ097
	Top Panel for MQ095	1	-	-
	Top Panel for MQ096	-	1	-
	Top Panel for MQ097	-	-	1
	Bottom Panel	1	1	1
	Sliding Panel	1	1	2
	Handle for MQ095/ MQ096	1	1	-
	Left Handle for MQ097	-	-	2
	Right Handle for MQ097	-	-	2
	Round Tube with Hook	4	4	4
	Round Tube	4	4	4
	42" Chain	1	1	1
	36" Chain	1	1	1
	Hex Socket Bolt	12	12	12
	Carriage Bolt	16	16	16

Parts List

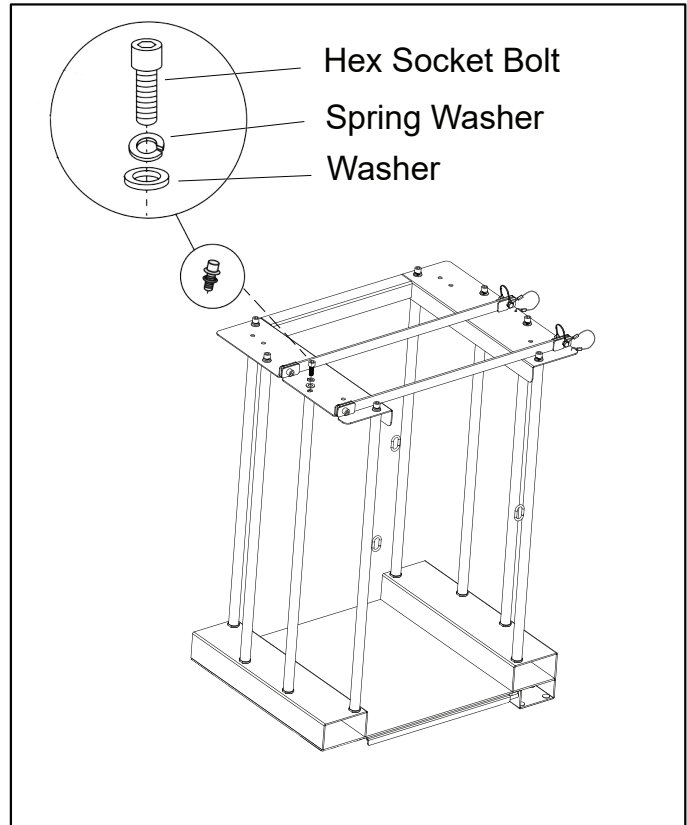
		4 CYL Storage Caddy MQ095	6 CYL Storage Caddy MQ096	8 CYL Storage Caddy MQ097
	Spring Washer	12	12	16
	Washer	28	28	32
	Nut	20	20	24
	Open-End Wrench	1	1	1
	Allen Wrench	1	1	1

Assembly

Step 1: Install Round Tubes

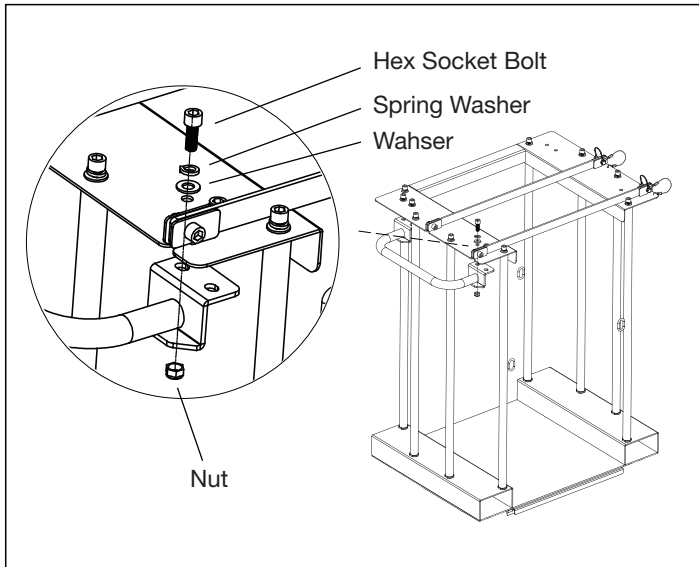


Step 2: Install Top Panel

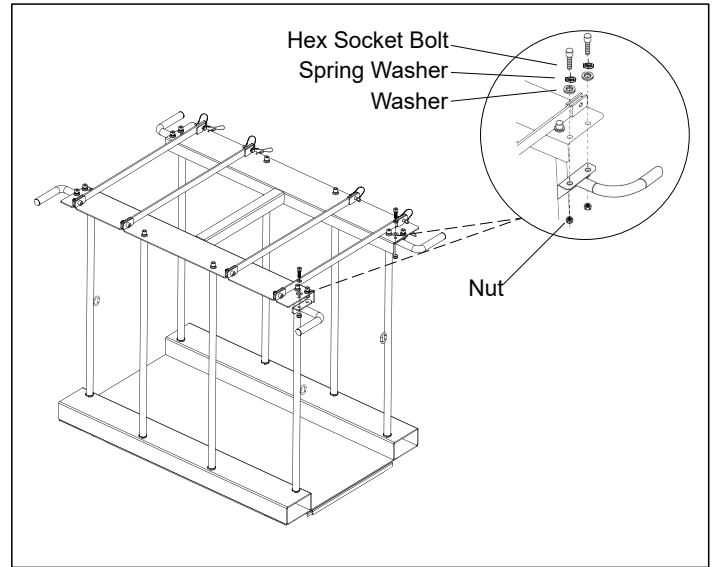


Assembly

Step 3: Install Handle



4 CYL Storage Caddy MQ095
6 CYL Storage Caddy MQ096

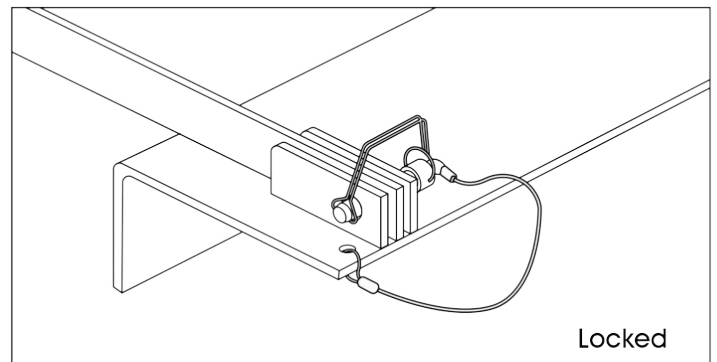
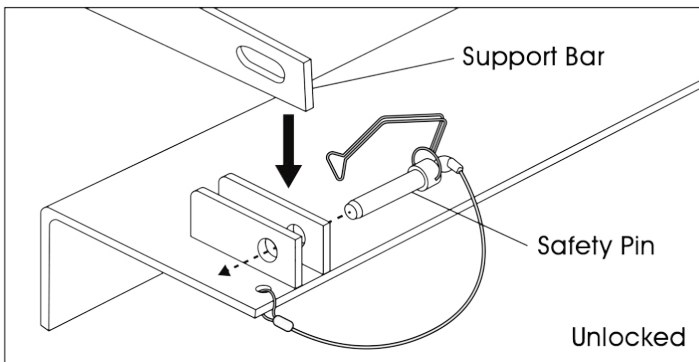


8 CYL Storage Caddy MQ097

Usage Tips

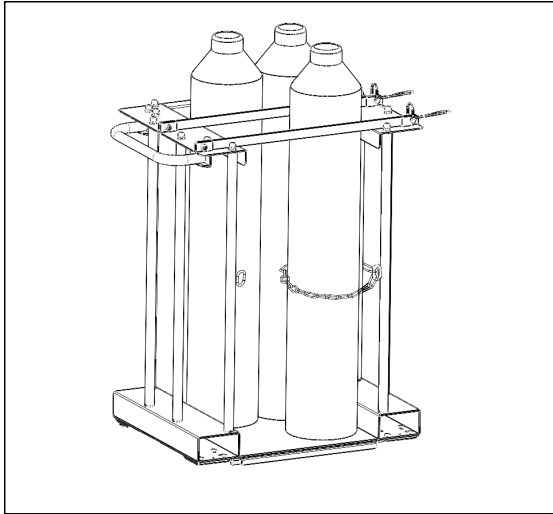
- Use support bars to stabilize tanks.
- Lock support bars with safety pins.

- Distribute cylinders evenly.
- Close cylinder valves and install caps before transport.



Safety Tips

(1) When transporting or storing a single gas cylinder, use the 36" chain to secure the round tube with hook, then fasten the gas cylinder to prevent it from tipping over.



(2) When using a forklift to move the cylinder storage caddy, secure the caddy and the forklift with the 42" chain to prevent the caddy from sliding or tipping over.

