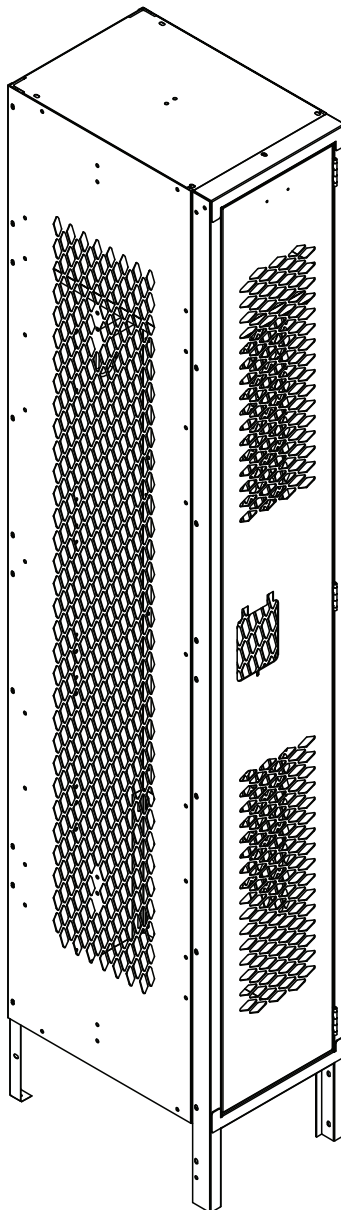


KLETON

LOCKER, PERF.,KD,1 BANK, 1 TIER
MODEL: FN818

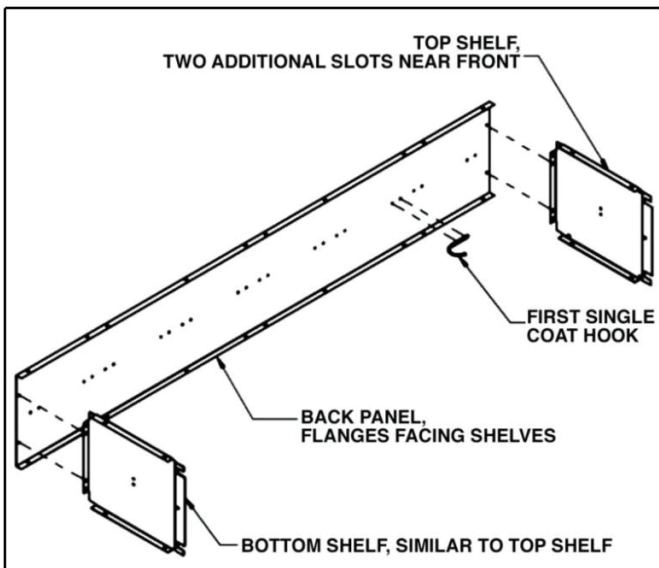
INSTRUCTION



PART LIST

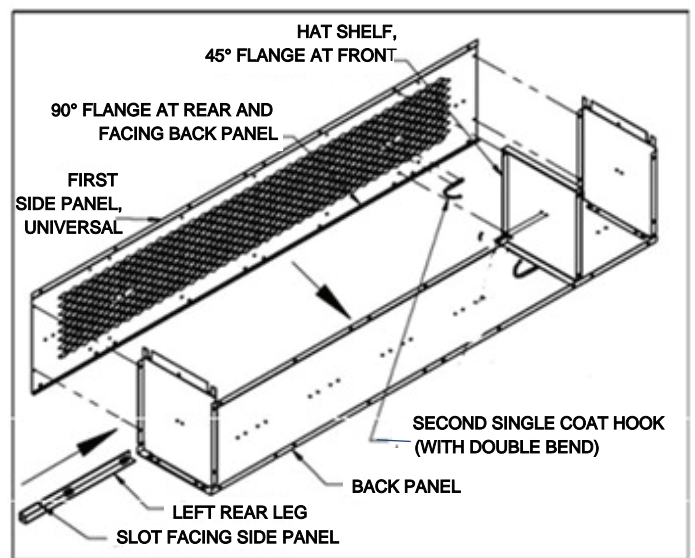
Description	Qty
Pre-assembled Door Frame	1
Top Shelf	1
Bottom Shelf	1
Hat Shelf	1
Back Panel	1
Side Panel	2
Rear Leg	2
Coat Rod	1
Single Coat Hook	1
Single Coat Hook (With Double Bend)	2
#10 - 3/8" long slot less screws	66
#10 nuts	66
Installation Instruction	2

INSTALLATION INSTRUCTIONS

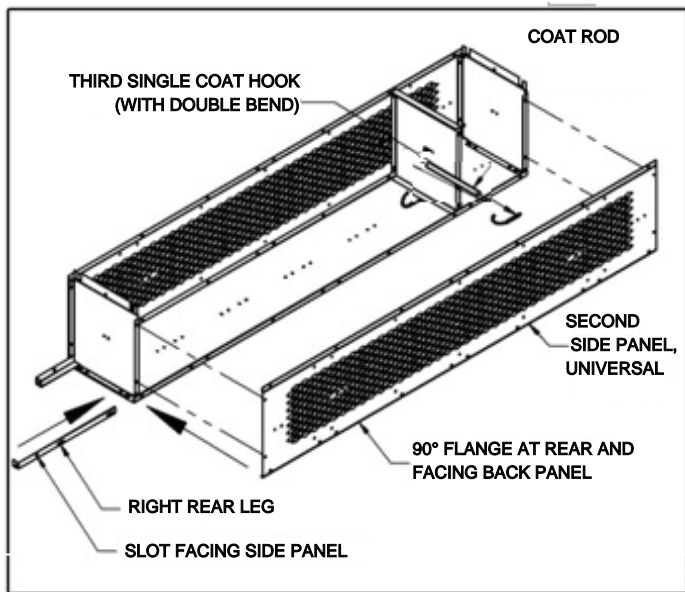


Step 1: Attach the top shelf, bottom shelf, and the first single coat hook to the back panel.

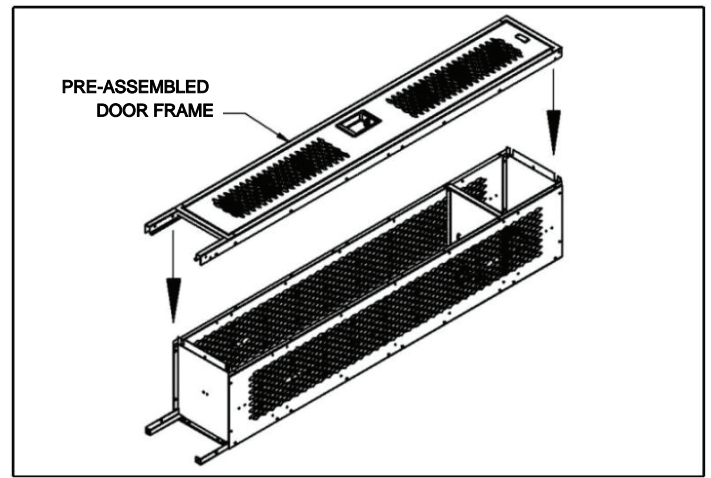
Step 2: Turn the back panel on its back with the shelves pointing upward. Attach the first side panel, the left rear leg, and the hat shelf to the assembly from Step 1. Attach a single coat hook with a double bend to accommodate the coat rod.



Step 3: Attach the second side panel and the right rear leg to the assembly of Step 2. Attach a double bend for the third single coat hook and install the coat rod as shown on the right. The locker chassis is now complete.



Step 4: Attach the pre-assembled door frame onto the assembly of Step 3.



Step 5: Tighten all fasteners checking for squareness of the locker while tightening.

Step 6: Place the locker in the installed location and anchor to the floor, wall, or to both. Individual job conditions will dictate the type of fastening anchors are not provided. The appropriate type should be selected based on individual job conditions.

Step 7: Fasten all lockers in a row together by installing fasteners provided through the side panels. Installation is now complete.

COAT ROD INSTALLATION

