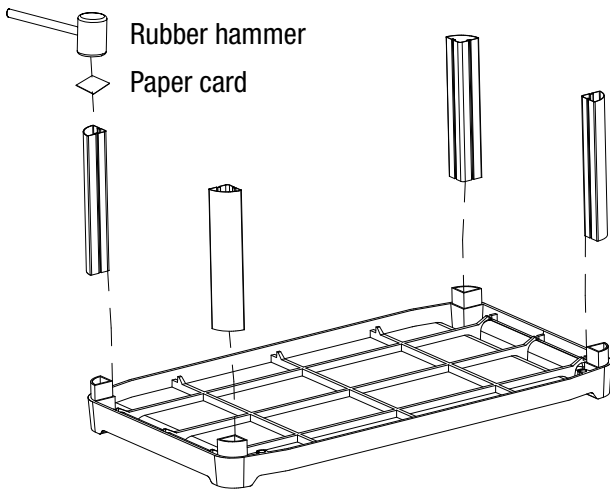


KLETON

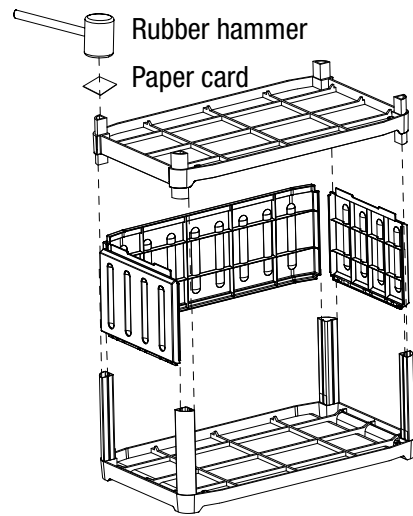
MP995 UTILITY CART

ASSEMBLY INSTRUCTIONS

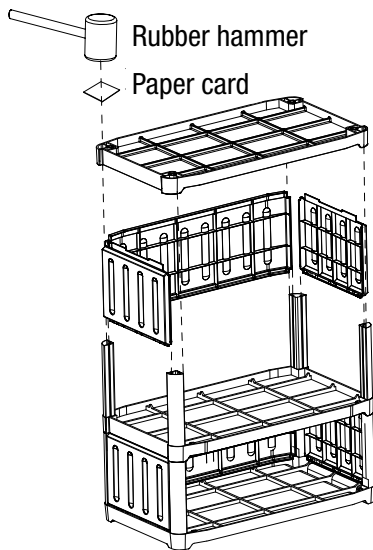




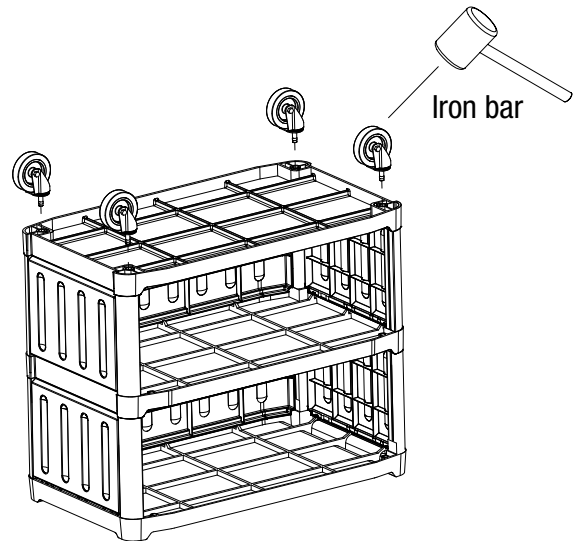
STEP 1: Insert Aluminum tubes into the slots on the bottom side of the top shelf using rubber mallet.



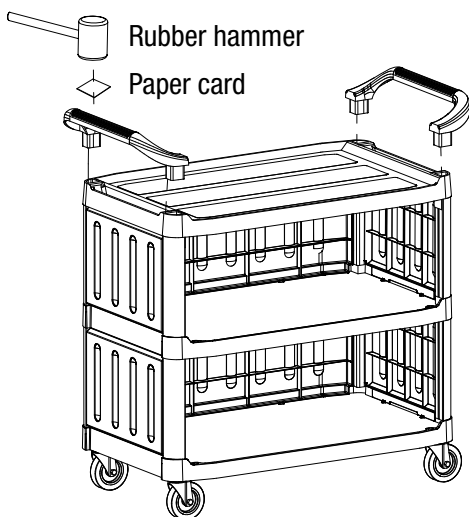
STEP 2: Insert (2) short side and (1) long-side panel into the rails on the aluminum tubes. Place middle shelf flat-side down and hammer into aluminum tubes. (See figure above).



STEP 3: Repeat Steps 1 and 2 with remaining tubes, shelf and side panels. Then, mount bottom shelf of the cart onto the aluminum tubes and hammer them into position (see above).



STEP 4: Position swivel casters into the caster holes on the bottom of the utility cart and hammer into place.



STEP 5: Flip the utility cart upright and install handles using rubber mallet by lightly tapping the handle into the handle holes on the top of the cart.



STEP 6: Installation complete.